

WILHELM SCHMIDT GMBH & Co. KG

Mathildenstrasse 101 - DE- 28203 Bremen
Tel.: +49-421 -71080 Fax: +49-421-71089 e-mail: wsmhb@t-online.de www.wsmhb.de

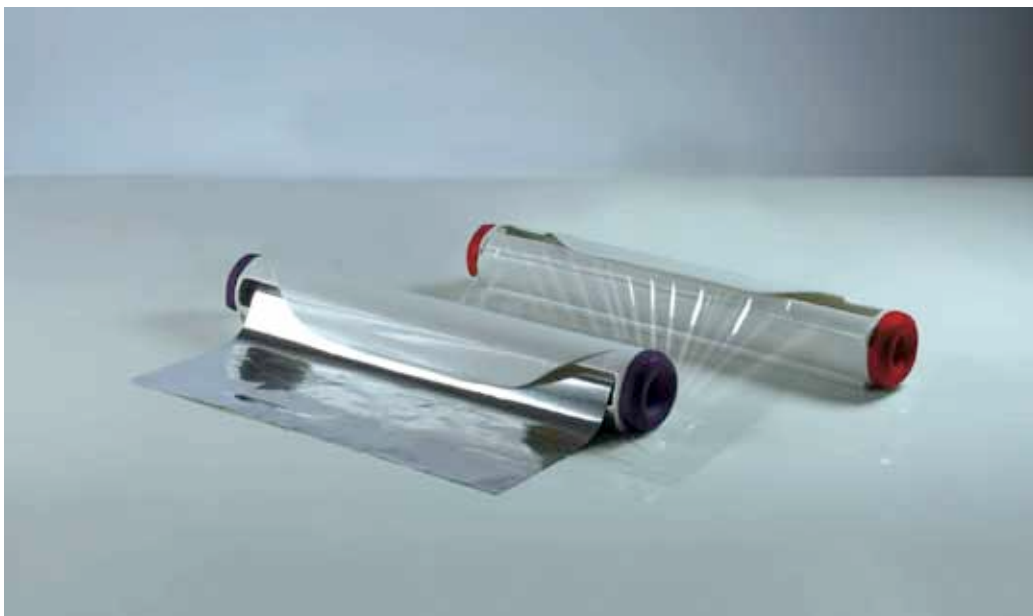
FOIL DISPENSER, ROUND MODEL, 2 PIECES-SET FOR POLYTHENE- AND ALUMINIUM FILM

-IDEAL FOR STORING ROLLS OF FOIL AND WRAP

WITH THE DIMENSIONS OF \varnothing MAX . 43 MM, LENGTH 305 MM

-WITH PRACTICAL SERRATED TEAR-OFF EDGE

MATERIAL: PP. FOIL AND POLYTHENE NOT INCLUDED



ALSO AVAILABLE WITH COLOURED END PIECES IN MANY COLOURS

WILHELM SCHMIDT GMBH & Co. KG

Mathildenstrasse 101 - DE- 28203 Bremen
Tel.: +49-421 -71080 Fax: +49-421-71089 e-mail: wsmhb@t-online.de www.wsmhb.de

ALSO AVAILABLE IN SEMI-TRANSPARENT MATERIAL IN MANY COLOURS



WILHELM SCHMIDT GMBH & Co. KG

Mathildenstrasse 101 - DE- 28203 Bremen
Tel.: +49-421 -71080 Fax: +49-421-71089 e-mail: wsmhb@t-online.de www.wsmhb.de

WITH FOTO – INLAY WITH INSTRUCTION MANUAL IN YOUR LANGUAGE

Wilhelm Schmidt
GmbH&Co. KG
Mathildenstraße 101
D-28203 Bremen
wsmhb@t-online.de



POLYTHENE FILM AND FOIL DISPENSER 2 PIECE SET

- For polythene film and aluminium foil
- Ideal for storing rolls of foil and wrap with the dimensions:
Ø max. 43 mm, length max. 305 mm
- Material: PP
- Foil and polythene film not included



MADE IN EUROPE



To open, please twist the two end caps in opposite directions



Lie the roll of cling film or tin foil with the leading edge facing upwards and close the dispenser by pressing in the end caps



Pull out the desired length of foil or cling film



Use one hand to press down the upper flap of the dispenser, using the other hand to tear off the foil or cling film

WILHELM SCHMIDT GMBH & Co. KG

Mathildenstrasse 101 - DE- 28203 Bremen
Tel.: +49-421 -71080 Fax: +49-421-71089 e-mail: wsmhb@t-online.de www.wsmhb.de

2 PCS. SET SHRINKED WIT FOTO-INLAY WITH INSTRUCTION MANUAL IN YOUR
LANGUAGE



WILHELM SCHMIDT GMBH & Co. KG

Mathildenstrasse 101 - DE- 28203 Bremen
Tel.: +49-421 -71080 Fax: +49-421-71089 e-mail: wsmhb@t-online.de www.wsmhb.de

1 PCS. SHRINKED

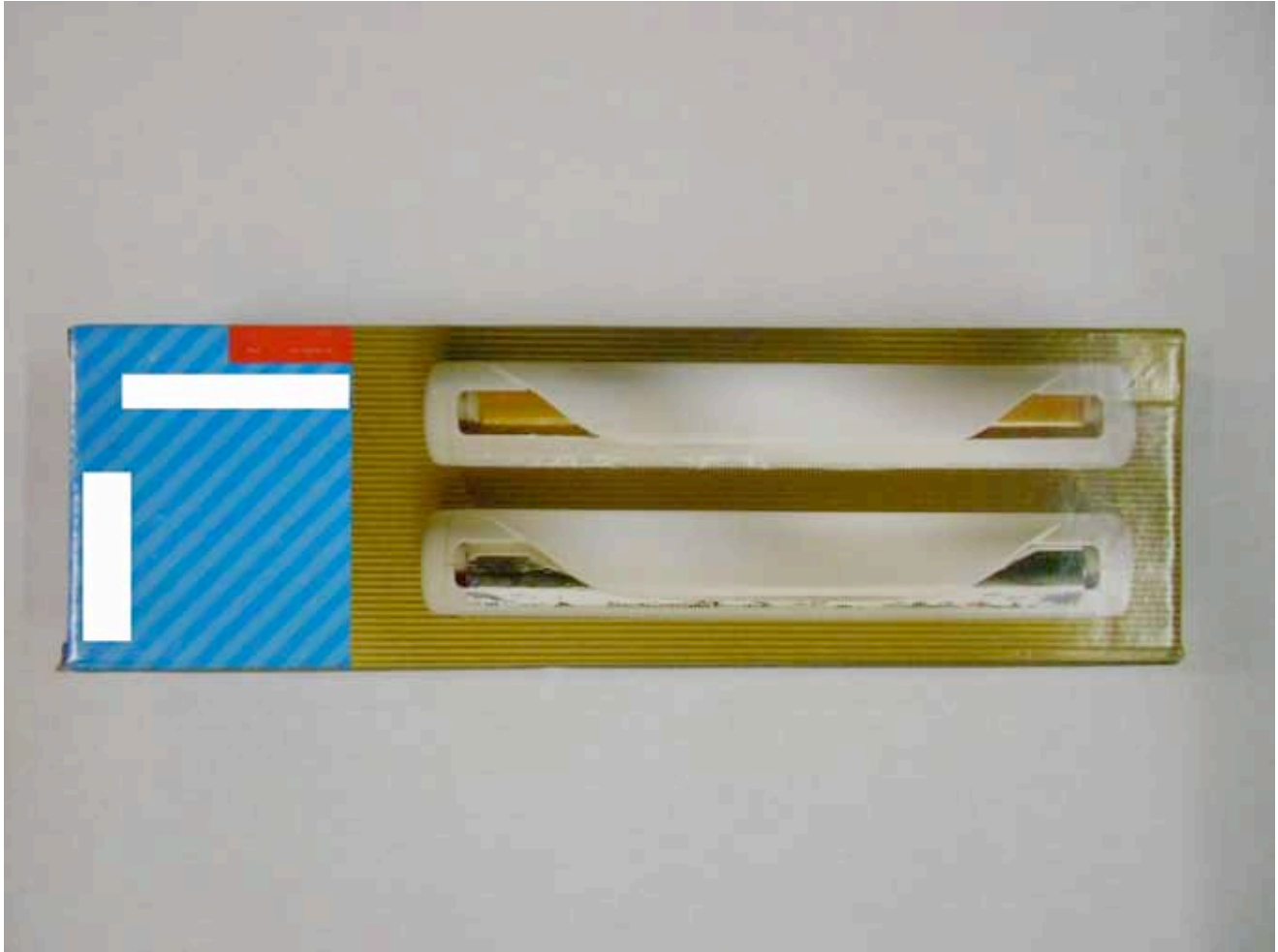
2 PCS.-SET SHRINKED



WILHELM SCHMIDT GMBH & Co. KG

Mathildenstrasse 101 - DE- 28203 Bremen
Tel.: +49-421 -71080 Fax: +49-421-71089 e-mail: wsmhb@t-online.de www.wsmhb.de

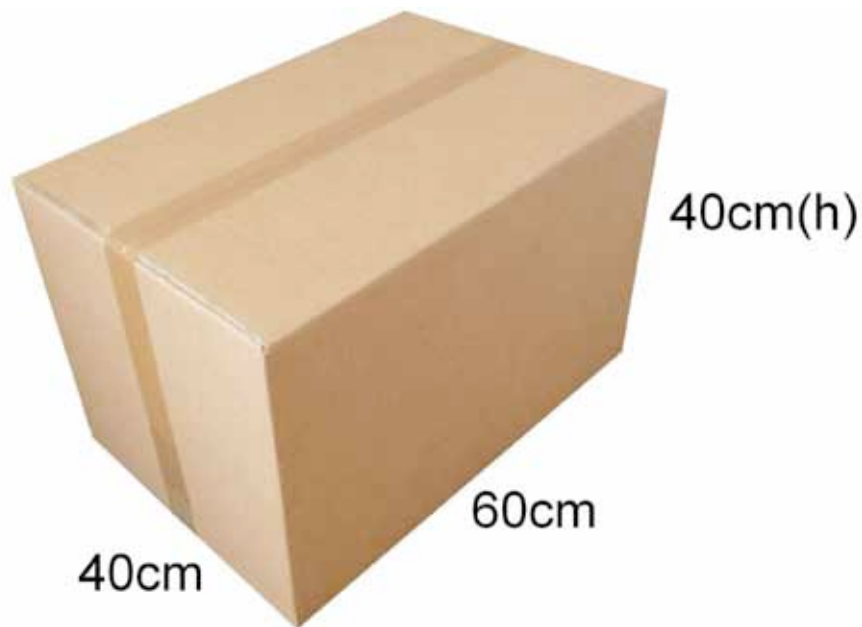
DEPENDING ON THE QUANTITY THE 2 PCS.-SET CAN BE DELIVERED ALSO
IN A 4 COLOURED GIFT BOX WITH YOUR DESIGN



WILHELM SCHMIDT GMBH & Co. KG

Mathildenstrasse 101 - DE- 28203 Bremen

Tel.: +49-421 -71080 Fax: +49-421-71089 e-mail: wsmhb@t-online.de www.wsmhb.de



Content : 80 pz.
Grossweight: 9,72 Kg.
Netweight : 8,80 Kg.

a = 6,5 cm.
b = 34 cm.
Ø = 6,5 cm.

a

Content : 40 set.
Grossweight : 9,62 Kg.
Netweight : 8,70 Kg.

a = 9,5 cm.
b = 35 cm.
Ø = 6,5 cm.



a

WILHELM SCHMIDT GMBH & Co. KG

Mathildenstrasse 101 - DE- 28203 Bremen
 Tel.: +49-421 -71080 Fax: +49-421-71089 e-mail: wsmhb@t-online.de www.wsmhb.de

On paletts Mastercarton measurement 40x60x40 (cm.)

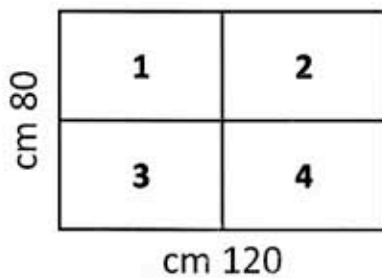
Foildispenser round modell 1 piece on paletts 80X120 shrunked or in polybag

- N° 80 piece	per master.	N° 4 pieces master per layer			
- N° 3 layer	= 12 MASTER	= 960 pieces.	h. palett	=	140 cm
- N° 4 layer	= 16 MASTER	= 1.280 pieces	h. palett	=	183 cm
- N° 5 layer	= 20 MASTER	= 1.600 pieces	h. palett	=	225 cm

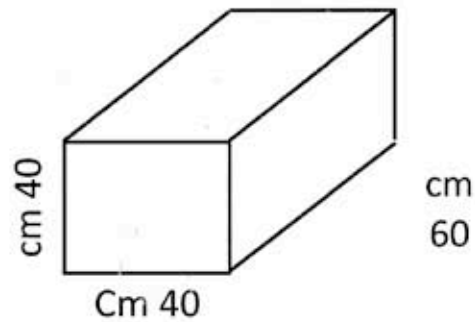
Foildispenser round modell 2-piece set on paletts 80x120 shrunked or in polybag

- N° 40 sets	per master.	N° 4 pieces	Master per layer		
- N° 3 layers	= 12 MASTER	= 480 SET.	h. palett	=	140 cm
- N° 4 layers	= 16 MASTER	= 640 SET.	h. palett	=	183 cm
- N° 5 layers	= 20 MASTER	= 800 SET.	h. palett	=	225 cm

Palett



MASTER



TRANSPORT IN CONATINER MASTER measurement 38 x 59 x 42 h (cm.)Foildispenser round modell 1 piece shrunked or in polybag

- N° 80 pieces .	per master.		
- 20 " Container	= 270 master cartons	=	21.600 pieces
- 40 "Conatiner	= 550 master cartons	=	44.000 pieces

Foildispenser round modell 2-piece set shrunked or in polybag

- N° 40 sets	per mastercarton		
- 20 " container	= 270 master cartons	=	10.800 sets
- 40" container	= 550 master cartons	=	22.000 sets

MASTER

